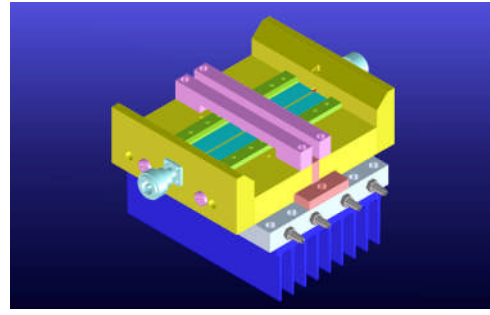




Product Note: B6140272

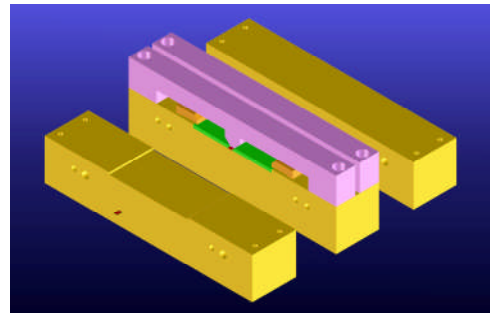
TOSL Calibration Procedure for the ICM High Power Test Fixture

A typical High Power Test Fixture from Inter-Continental Microwave is shown in this picture. The test fixture is assembled with a midsection designed for the particular part to be tested. The microstrip launching sections are selected depending upon the testing requirements.



ICM High Power Test Fixture

The TOSL Calibration Kit contains four standards. The THRU, OPEN, SHORT and LOAD standards are designed to cover the frequency range of interest. Calibration Coefficients are supplied with the calibration kit. These Calibration Coefficients have to be entered into the Network Analyzer before calibration and used during the calibration process.



TOSL Calibration Standards

Serving the Microwave Industry since 1985

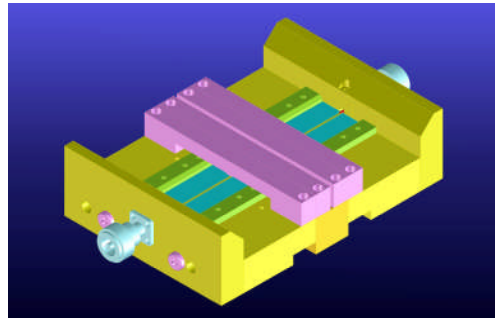
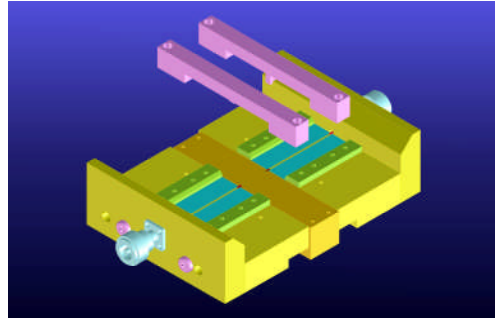
Solution Partner with Maury Microwave



6849 W Frye Rd, Chandler, AZ 85226 USA
Tel: (480) 940-0740 Fax: (480) 961-4754
E-mail: sales@icmicrowave.com Website: www.icmicrowave.com

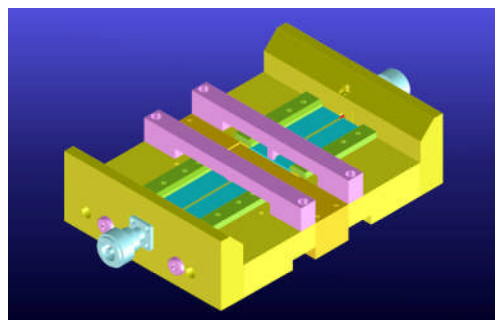
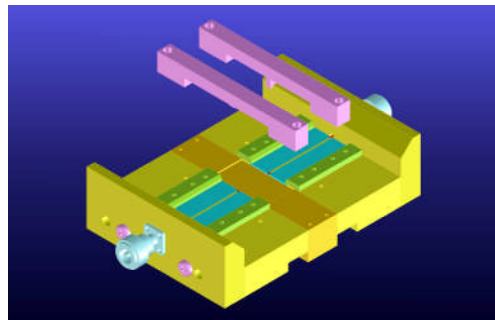
Step 1 - SHORT Calibration

- Mount the SHORT Standard inside the test fixture
- Place a connecting tab from the microstrip to the SHORT Standard on each side
- Mount the pusher assemblies from the test fixture onto the launching sections
- Mount the two pusher assemblies from the Calibration Kit
- Perform the SHORT Calibration on the Network Analyzer



Step 2 - OPEN Calibration

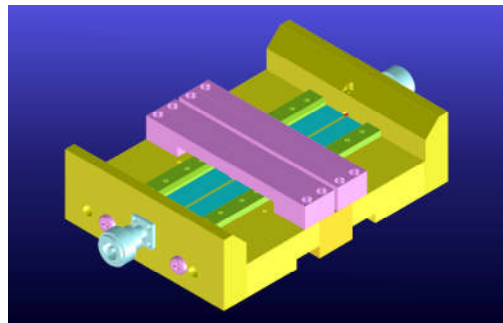
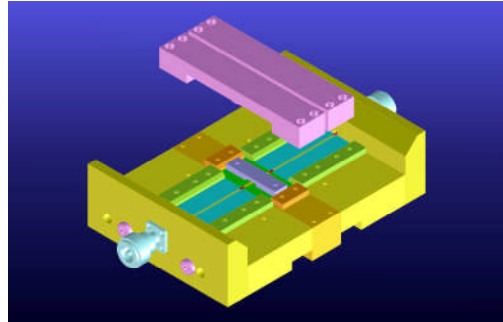
- Mount the OPEN Standard inside the test fixture
- Place a **small** square connecting tab onto the end of the microstrip on each side
- Mount the pusher assemblies from the test fixture onto the launching sections
- Mount the two pusher assemblies from the Calibration Kit
- Perform the OPEN Calibration on the Network Analyzer



See our website at www.icmicrowave.com for more details

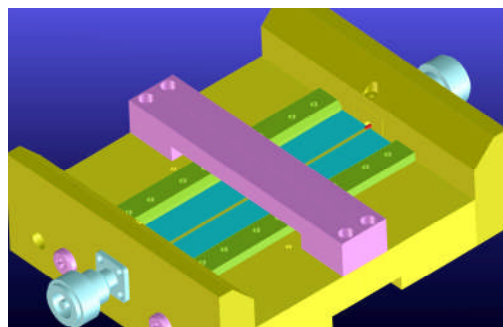
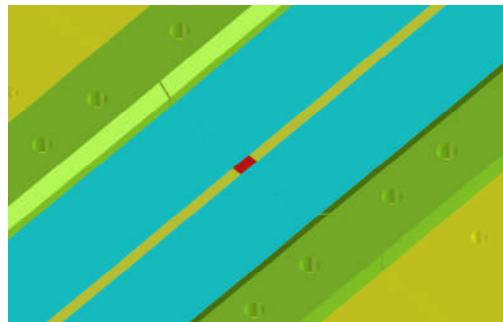
Step 3 - MATCH Calibration

- Mount the MATCH/LOAD Standard inside the test fixture
- Place a connecting tab from the microstrip to the MATCH/LOAD Standard on each side
- Mount the pusher assemblies from the test fixture onto the launching sections
- Mount the two pusher assemblies from the Calibration Kit
- Perform the MATCH Calibration on the Network Analyzer



Step 4 - THRU Calibration

- Remove all standards and connect the two microstrip launching sections to each other
- Place a connecting tab to connect the two microstrip sections
- Mount the pusher assemblies from the test fixture onto the launching sections
- Perform the THRU Calibration on the Network Analyzer



5/15/2002

Inter-Continental Microwave

6849 W Frye Rd, Chandler, AZ 85226 USA
Tel: (480) 940-0740 Fax: (480) 961-4754
E-mail: sales@icmicrowave.com Website: www.icmicrowave.com