



The World-Wide Authority in the Design & Manufacture of Microwave Test Fixtures

TDR Probe Offerings DC- 6 GHZ

TDR Probe – PN A0137761 Adjustable Ground Spacing

This design features a SMA Connector with a 50 Ohm transition section for use up to 6 GHz.

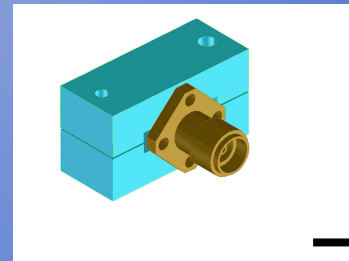
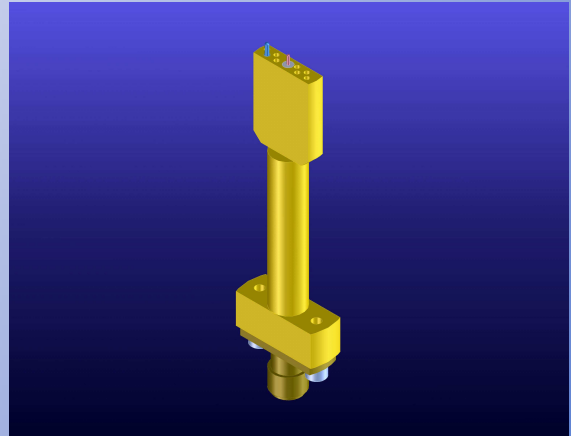
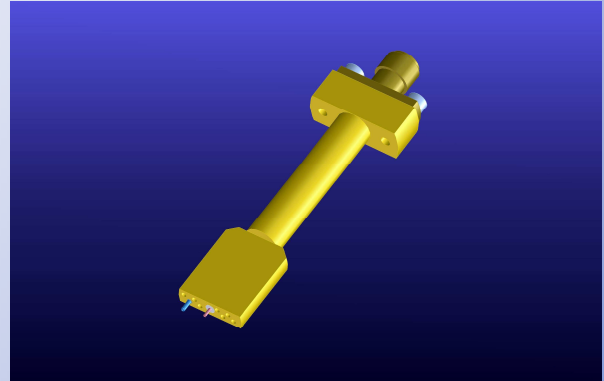
The Ground Contact is spring loaded to accommodate tolerance differences between the height of the RF and Ground Contact points. It is removable so that you may position it in different holes to allow for different RF to Ground pitch distances. These distances are set at 0.020" increments so most points between 0.06" and 0.20" can be met.

The TDR Probe can be used by hand, with the help of an external fixture.

This ICM TDR Probe offers a good, low cost, easy to use solution to testing TDR in a variety of circumstances

Features:

- Movable Ground Contact from 0.06" to 0.20" in 0.020" increments
- SMA Connector
- Spring Loaded Ground Pin
- Optional Calibration Adapter Kit A0131991A for TDR Oscilloscopes
- Insertion Loss <1 dB
- Return Loss >16 dB



Calibration Adapter A0131991A

Inter-Continental Microwave LLC.

6849 W Frye Rd, Chandler, AZ 85226

P-480-940-0740 Fax 480-961-4754

web: www.icmicrowave.com

e-mail sales@icmicrowave.com